



**OUR TECHNOLOGY
YOUR SKILL**



ARTHROSCOPY



Our combined competences in medical endoscopy systems provide global solutions. From now on, SOPRO-COMEG forms the ideal leader with second-to-none "know-how": SOPRO in medical video imaging and COMEG in engineering endoscopy and micro lenses. Since many years, the product lines of SOPRO and COMEG have been setting the standards for image management systems with fully proven quality, efficiency, safety and convenience.

Our goal is to provide the safest and most advanced products and technologies that ensure reliable operating procedures and rapid recovery.

Synergy between our R&D Departments will result in products and systems that offer added clinical benefits and meet the requirements of patients, surgeons and the health care system even more effectively.

Engineers, mechanics, sales representatives... all our staff has one thing in common: their enthusiasm for hard work to serve our customers.

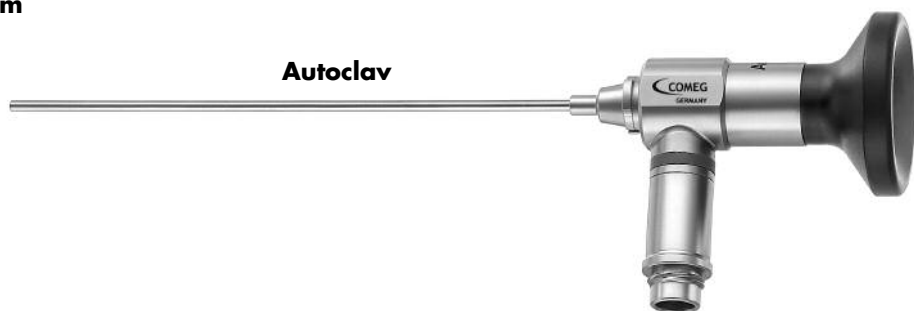
1	Arthroscopy	page 4
2	Instrumentation	page 13
3	HIP-Arthroscopy	page 22
4	Shaver	page 23
5	Spare parts	page 26
6	Accessories	page 28
7	General Information	page 29

Mini arthroscope

Mini Arthroscope Ø 1.9 mm

wrists and ankle joints
jaw joint
pediatric arthroscopy

Autoclav



Art.-No.	Direction of view	Working length about
161 191 040	0°	104 mm

Further information about dimensions you will find on page 12.

Sheaths

Sheath, 1 stopcock fix

for telescope Ø 1.9 mm
for use with telescope 0°

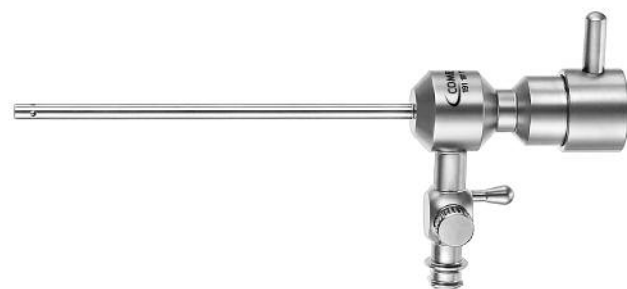
Autoclav



Art.-No.	Working length about
191 191 011	73 mm

Sheath, 1 stopcock fix, high flow

for telescope Ø 1.9 mm
for use with telescope 0°



Art.-No.	Working length about
191 191 111	73 mm

Trocars

Trocars



Art.-No.	For telescope Ø	Working length about
191 191 045	1.9 mm	73 mm
191 191 145	1.9 mm, high flow	73 mm

Obturator

Obturator



Art.-No.	For telescope Ø	Working length about
191 191 046	1.9 mm	73 mm
191 191 146	1.9 mm, high flow	73 mm

Telescopes

Telescope Ø 2.4 mm

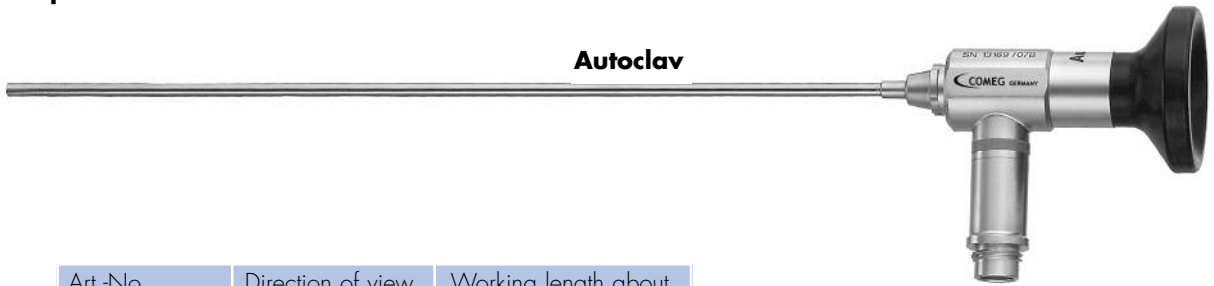
Autoclav



Art.-No.	Direction of view	Working length about
161 240 980	0°, WA	98 mm
161 240 982	30°, WA	98 mm

Telescope Ø 2.7 mm

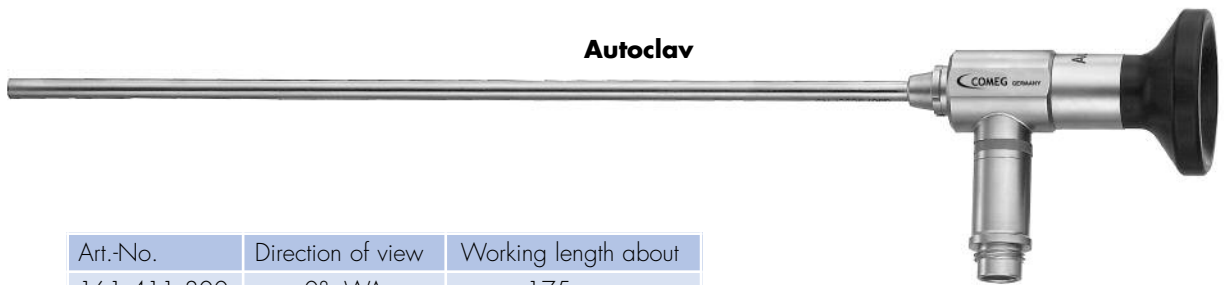
Autoclav



Art.-No.	Direction of view	Working length about
161 271 770	0°, WA	175 mm
161 271 772	30°, WA	175 mm
161 271 775	70°, WA	175 mm

Telescope Ø 4.0 mm

Autoclav



Art.-No.	Direction of view	Working length about
161 411 800	0°, WA	175 mm
161 411 802	30°, WA	175 mm
161 411 803	45°, WA	175 mm
161 411 805	70°, WA	175 mm

“WIDE ANGLE” (WA)

“Wide angle” telescopes provide a bigger field of view.

Sheaths

Sheath, 1 stopcock fix

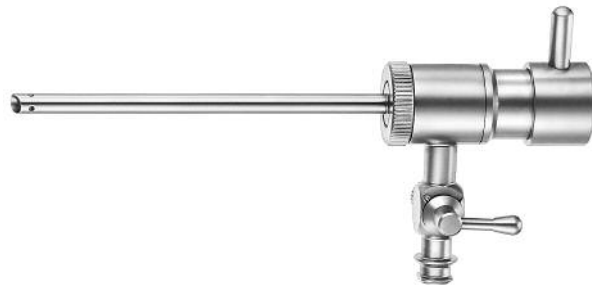
for telescopes Ø 2.4 mm
for use with telescopes 0° and 30°



Art.-No.	Working length about
191 240 931	69 mm

Sheath, 1 stopcock rotatable, high flow

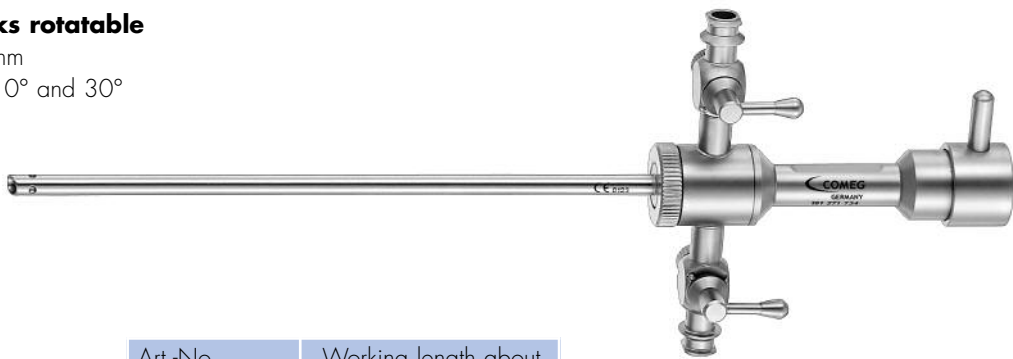
for telescopes Ø 2.4 mm
for use with telescopes 0° and 30°



Art.-No.	Working length about
191 241 933	69 mm

Sheath, 2 stopcocks rotatable

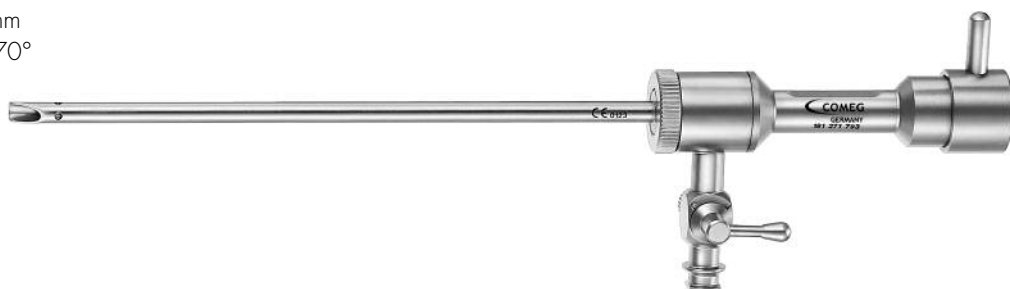
for telescopes Ø 2.7 mm
for use with telescopes 0° and 30°



Art.-No.	Working length about
191 271 734	119 mm

Sheath, 1 stopcock rotatable

for telescopes Ø 2.7 mm
for use with telescope 70°



Art.-No.	Working length about
191 271 793	119 mm

Sheaths

Sheath, 2 stopcocks fix

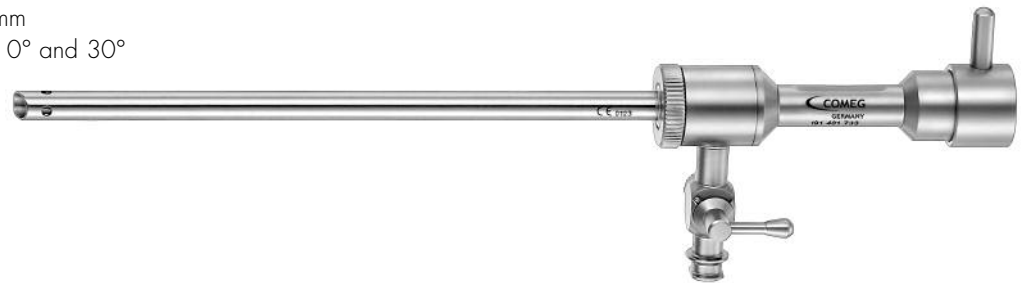
for telescopes Ø 4.0 mm
for use with telescopes 0° and 30°



Art.-No.	Working length about
191 401 732	119 mm

Sheath, 1 stopcock rotatable

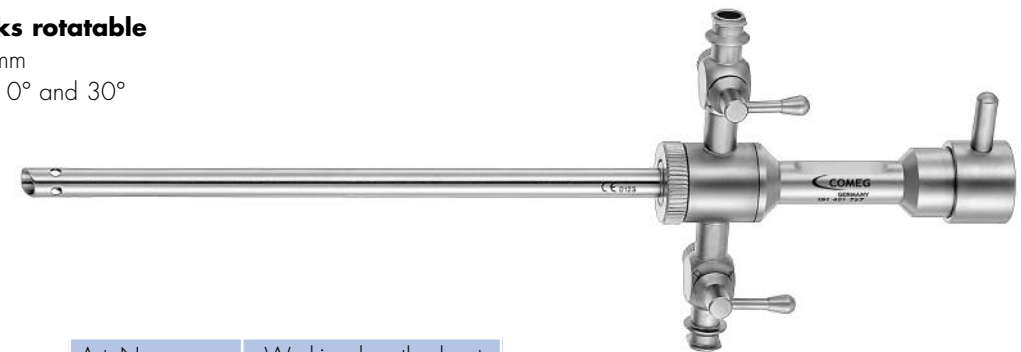
for telescopes Ø 4.0 mm
for use with telescopes 0° and 30°



Art.-No.	Working length about
191 401 733	119 mm

Sheath, 2 stopcocks rotatable

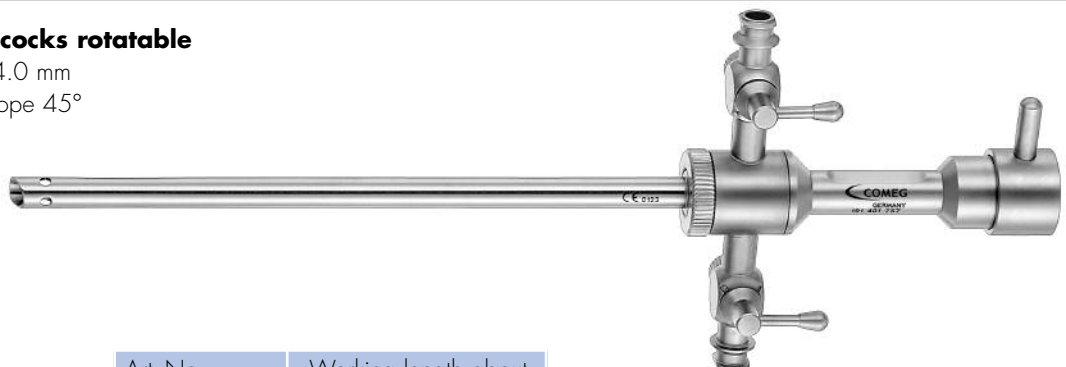
for telescopes Ø 4.0 mm
for use with telescopes 0° and 30°



Art.-No.	Working length about
191 401 757	119 mm

Sheath, 2 stopcocks rotatable

for telescopes Ø 4.0 mm
for use with telescope 45°

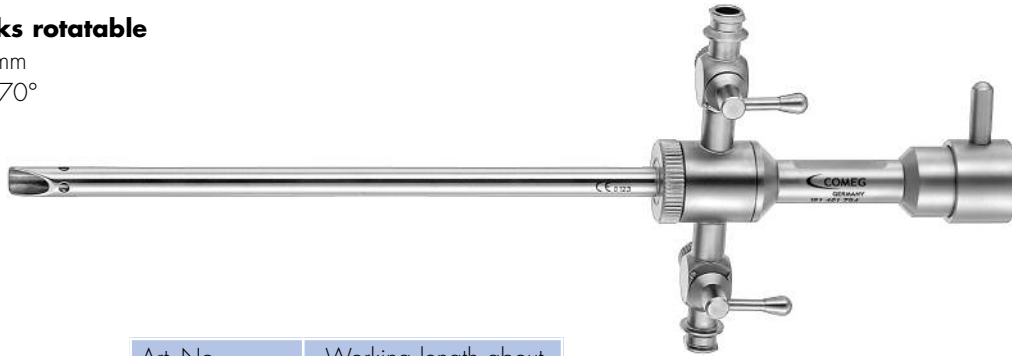


Art.-No.	Working length about
191 401 744	119 mm

Sheaths

Sheath, 2 stopcocks rotatable

for telescopes Ø 4.0 mm
for use with telescope 70°



Art.-No.	Working length about
191 401 794	119 mm

Sheath, 2 stopcocks fix, high flow

for telescopes Ø 4.0 mm
for use with telescopes 0° and 30°



Art.-No.	Working length about
191 501 732	119 mm

Sheath, 2 stopcocks rotatable, high flow

sheath for telescopes Ø 4.0 mm
for use with telescopes 0° and 30°



Art.-No.	Working length about
191 501 757	119 mm

Trocars

Trocar



Art.-No.	For telescope Ø	For sheath working length
191 240 985	2.4 mm	69 mm

Trocar



Art.-No.	For telescope Ø	For sheath working length
191 271 755	2.7 mm	119 mm
191 401 755	4.0 mm	119 mm

Trocar high flow



Art.-No.	For telescope Ø	For sheath working length
191 241 085	2.4 mm, high flow	69 mm

Trocar high flow



Art.-No.	For telescope Ø	For sheath working length
191 501 755	4.0 mm, high flow	119 mm

Obturator

Obturator



Art.-No.	For telescope Ø	For sheath working length
191 240 986	2.4 mm	69 mm

Obturator



Art.-No.	For telescope Ø	For sheath working length
191 271 756	2.7 mm	119 mm
191 401 756	4.0 mm	119 mm

Obturator high flow



Art.-No.	For telescope Ø	For sheath working length
191 241 086	2.4 mm, high flow	69 mm

Obturator high flow

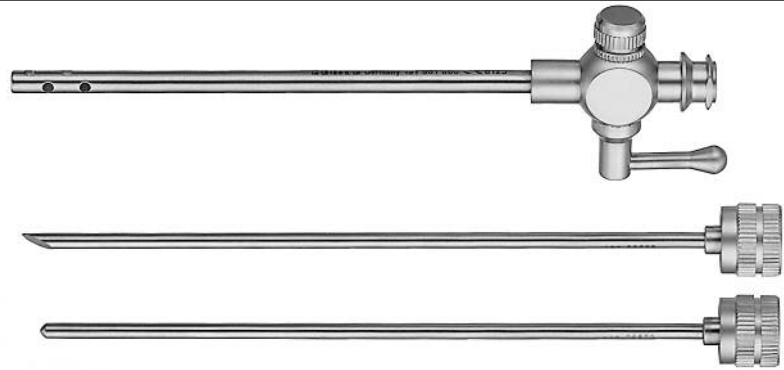


Art.-No.	For telescope Ø	For sheath working length
191 501 756	4.0 mm, high flow	119 mm

Inflow cannulas

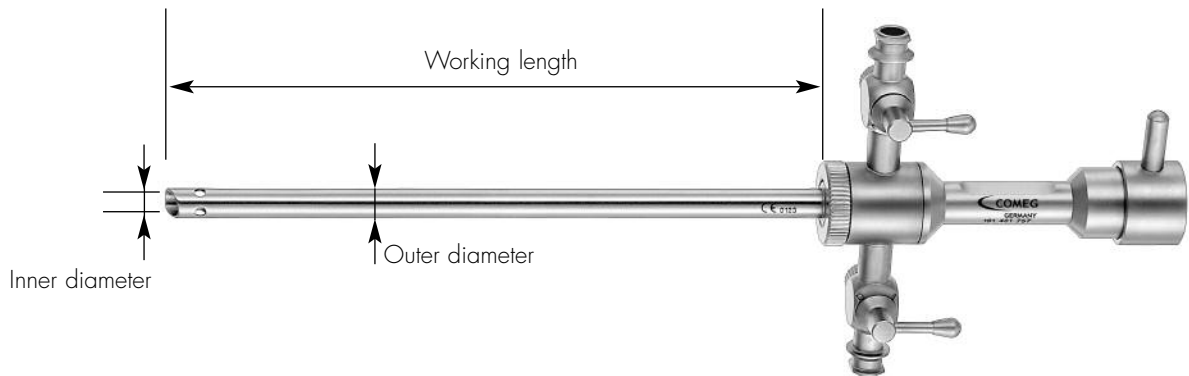
Inflow cannulas

including trocar and obturator



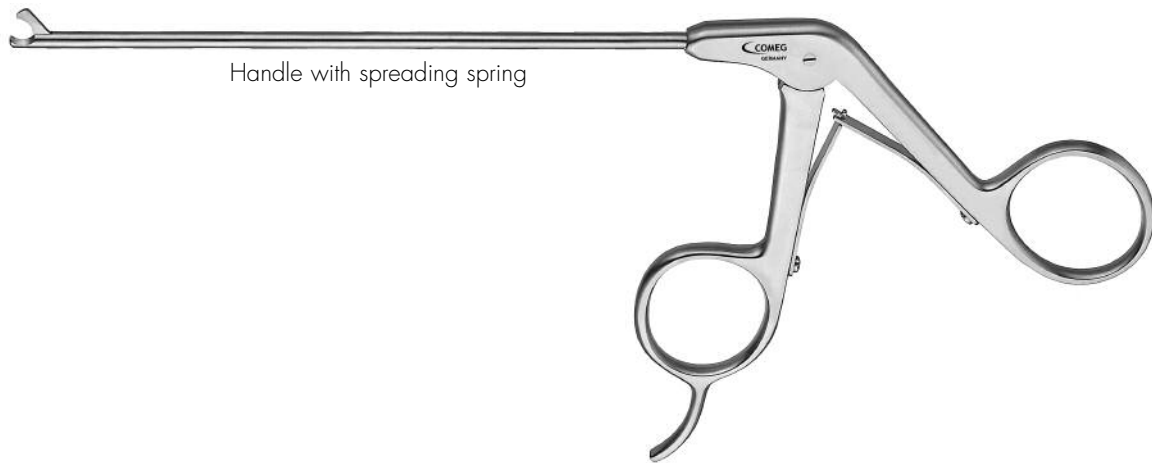
Art.-No.	Outer Ø	Inner Ø	Length
191 501 600	3.2 mm	2.4 mm	70 mm
191 501 603	4.5 mm	3.6 mm	70 mm

Dimensions



Sheath Art.-No.	Description	For scope	Outer Ø in mm	Inner Ø in mm	Working length about in mm
191 191 011	1 stopcock fix	Ø 1.9 / 0°	2.5	2.2	73.0
191 191 111	1 stopcock fix - high flow	Ø 1.9 / 0°	2.9	2.5	73.0
191 240 931	1 stopcock fix	Ø 2.4 / 0°, 30°	3.2	2.8	69.0
191 241 933	1 stopcock rotatable - high flow	Ø 2.4 / 0°, 30°	3.8	3.3	69.0
191 271 734	2 stopcocks rotatable	Ø 2.7 / 0°, 30°	4.0	3.2	119.0
191 271 793	1 stopcock rotatable	Ø 2.7 / 70°	4.0	3.2	119.0
191 401 732	2 stopcocks fix	Ø 4.0 / 0°, 30°	5.6	4.6	119.0
191 401 733	1 stopcock rotatable	Ø 4.0 / 0°, 30°	5.6	4.6	119.0
191 401 757	2 stopcocks rotatable	Ø 4.0 / 0°, 30°	5.6	4.6	119.0
191 401 744	2 stopcocks rotatable	Ø 4.0 / 45°	5.6	4.6	119.0
191 401 794	2 stopcocks rotatable	Ø 4.0 / 70°	5.6	4.6	119.0
191 501 732	2 stopcocks fix - high flow	Ø 4.0 / 0°, 30°	6.5	5.5	119.0
191 501 757	2 stopcocks rotatable - high flow	Ø 4.0 / 0°, 30°	6.5	5.5	119.0

Punches, scissors, biopsy forceps



Handle with spreading spring

Arthroscopy

Instrumentation

HIP-Arthroscopy

Shaver

Spare parts

Accessories

General Information

Hook scissors



Ø 2.7 mm		Ø 3.4 mm	
Art.-No.	Description	Art.-No.	Description
391 270 000	straight	391 350 000	straight
391 270 013	45° right	391 350 013	45° right
391 270 012	30° right	391 350 012	30° right
391 270 022	30° left	391 350 022	30° left
391 270 023	45° left	391 350 023	45° left

Hook scissors



Ø 3.4 mm	
Art.-No.	Description
391 350 113	45° right angled
391 350 123	45° left angled

Hook punch

with scoop



Ø 2.7 mm		Ø 3.4 mm	
Art.-No.	Description	Art.-No.	Description
391 271 000	straight	391 351 000	straight
391 271 013	45° right	391 351 013	45° right
391 271 012	30° right	391 351 012	30° right
391 271 022	30° left	391 351 022	30° left
391 271 023	45° left	391 351 023	45° left

Punches

Hook punch blunt



Ø 2.7 mm		Ø 3.4 mm	
Art.-No.	Description	Art.-No.	Description
391 272 000	straight	391 352 000	straight
391 272 013	45° right	391 352 013	45° right
391 272 012	30° right	391 352 012	30° right
391 272 022	30° left	391 352 022	30° left
391 272 023	45° left	391 352 023	45° left

Biopsy forceps



Art.-No.	Ø
391 350 300	3.4 mm

Punch upside retrograde cutting



Art.-No.	Ø
391 350 310	3.4 mm

Punch with scoop



Ø 3.4 mm	
Art.-No.	Description
391 351 113	45° right angled
391 351 123	45° left angled

Punch blunt



Ø 3.4 mm	
Art.-No.	Description
391 352 113	45° right angled
391 352 123	45° left angled

Square punch with scoop



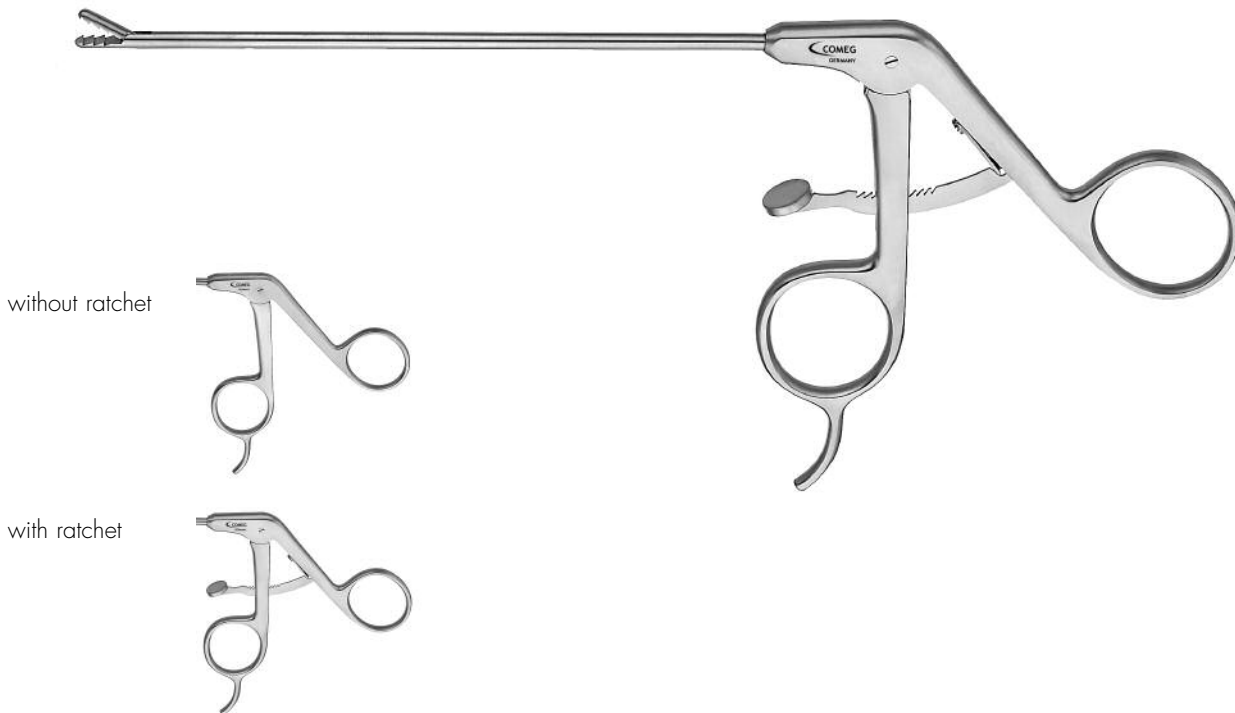
Ø 3.4 mm	
Art.-No.	Description
391 351 117	90° right angled
391 351 127	90° left angled

Punch blunt



Ø 3.4 mm	
Art.-No.	Description
391 352 117	90° right angled
391 352 127	90° left angled

Grasping forceps



without ratchet

with ratchet

Grasping forceps serrated



Ø 2.7 mm		Ø 3.4 mm	
Art.-No.	Description	Art.-No.	Description
391 273 050	without ratchet	391 353 050	without ratchet
391 273 060	with ratchet	391 353 060	with ratchet

Grasping forceps 1 x 2 teeth



Ø 3.4 mm	
Art.-No.	Description
391 354 250	without ratchet
391 354 260	with ratchet

Grasping forceps 1 x 2 teeth fine



Ø 3.4 mm	
Art.-No.	Description
391 354 350	without ratchet
391 354 360	with ratchet

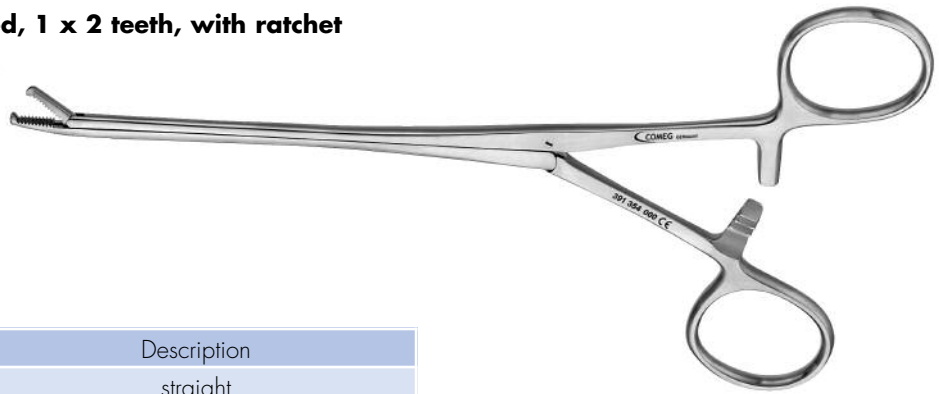
Grasping and biopsy forceps



Ø 3.4 mm	
Art.-No.	Description
391 355 050	without ratchet
391 355 060	with ratchet

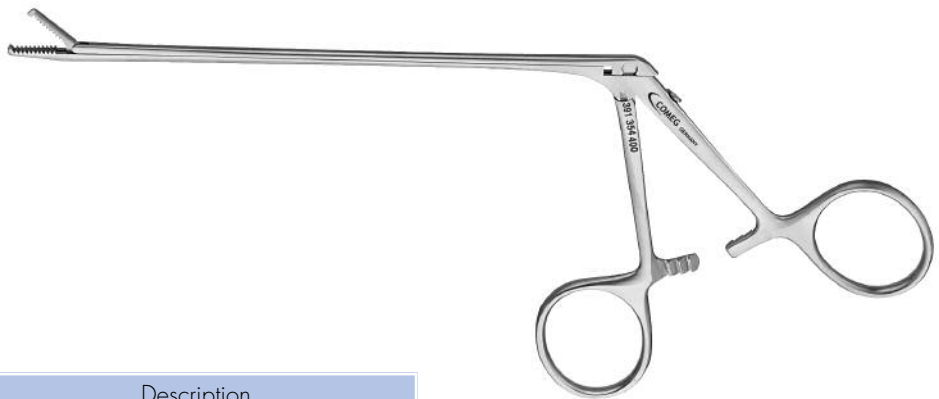
Grasping forceps

Grasping forceps serrated, 1 x 2 teeth, with ratchet



Art.-No.	Description
391 354 000	straight
391 354 110	curved right
391 354 120	curved left

Mini grasping forceps serrated, 1 x 2 teeth, with ratchet



Art.-No.	Description
391 354 400	straight

All arthroscopic instruments of the **SC line** (superior category) are equipped with an overload protection which guarantees an increased breakage resistance. These instruments are made of high-quality steel by means of most modern CNC-technique.

SC grasping forceps serrated, 1 x 2 teeth

with overload protection

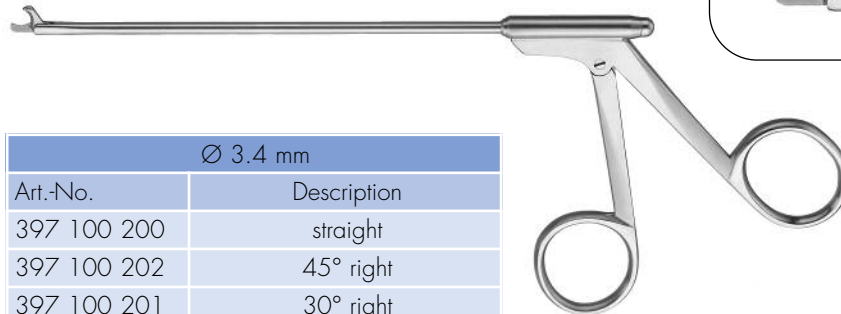


Art.-No.	Description
391 340 050	without ratchet
391 340 060	with ratchet

Scissors

Hook scissors

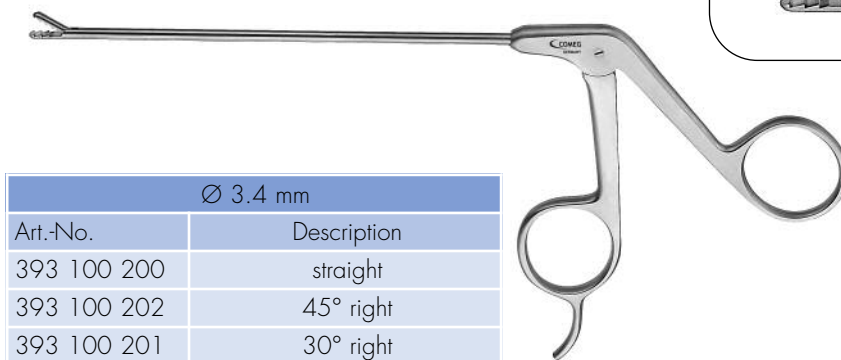
SC - with overload protection



Ø 3.4 mm	
Art.-No.	Description
397 100 200	straight
397 100 202	45° right
397 100 201	30° right
397 100 203	30° left
397 100 204	45° left
397 100 206	15° upward
397 100 205	7° upward
397 100 207	7° downward
397 100 208	15° downward

Hook scissors

SC - without overload protection



Ø 3.4 mm	
Art.-No.	Description
393 100 200	straight
393 100 202	45° right
393 100 201	30° right
393 100 203	30° left
393 100 204	45° left
393 100 206	15° upward
393 100 205	7° upward
393 100 207	7° downward
393 100 208	15° downward

Hook scissors

Ø 3.4 mm	
Art.-No.	Description
397 100 209	45° right angled
397 100 210	45° left angled



Punches

Punch

SC - with overload protection



Ø 1.7 mm		Ø 3.4 mm	
Art.-No.	Description	Art.-No.	Description
397 100 221	straight	397 100 211	straight
397 100 223	45° right	397 100 213	45° right
397 100 222	30° right	397 100 212	30° right
397 100 224	30° left	397 100 214	30° left
397 100 225	45° left	397 100 215	45° left
397 100 227	15° upward	397 100 217	15° upward
397 100 226	7° upward	397 100 216	7° upward
397 100 228	7° downward	397 100 218	7° downward
397 100 229	15° downward	397 100 219	15° downward

Punch

SC - without overload protection



Ø 3.4 mm	
Art.-No.	Description
393 100 211	straight
393 100 213	45° right
393 100 212	30° right
393 100 214	30° left
393 100 215	45° left
393 100 217	15° upward
393 100 216	7° upward
393 100 218	7° downward
393 100 219	15° downward

Punch with scoop

SC - with overload protection



Ø 3.4 mm	
Art.-No.	Description
397 100 230	45° right angled
397 100 232	45° left angled

Punch with scoop

SC - with overload protection



Ø 3.4 mm	
Art.-No.	Description
397 100 231	90° right angled
397 100 233	90° left angled

Punches

Punch internal rotating action

SC - with overload protection

Ø 3.4 mm	
Art.-No.	Description
397 100 234	90° right angled
397 100 235	90° left angled



Punch upside retrograde cutting, 2.5 mm bite

Art.-No.	Ø
397 100 300	3.4 mm



Punch retrograde cutting, 360° rotatable, 2.5 mm bite

Art.-No.	Ø
397 100 310	3.4 mm



Other versions upon request !

Hand instruments

There are two different systems within our range of hand instruments:

- instrument one-piece, knurled handle
- interchangeable handle + insert. Different inserts can be used with one handle.



Instrument one-piece, knurled handle

Handle for inserts



Art.-No.
391 410 000

Hook probe, Ø 4 mm

Art.-No.	Description
391 400 001	instrument one piece



Hook probe pointed, Ø 2 mm

Art.-No.	Description
391 410 002	insert only



Hook probe graduated, Ø 2.5 mm

Art.-No.	Description
391 410 003	insert only



Hook probe graduated, Ø 3.5 mm

Art.-No.	Description
391 410 004	insert only



Scalpel knife, Ø 3 mm

Art.-No.	Description
391 410 005	insert only
391 400 005	instrument one piece



Banana knife smooth, Ø 3.5 mm

Art.-No.	Description
391 410 006	insert only
391 400 006	instrument one piece



Banana knife serrated, Ø 3.5 mm

Art.-No.	Description
391 410 007	insert only
391 400 007	instrument one piece



Hook knife 90°, Ø 3.5 mm

Art.-No.	Description
391 410 008	insert only
391 400 008	instrument one piece



Knife 45°, Ø 4.5 mm

Art.-No.	Description
391 410 009	insert only
391 400 009	instrument one piece



Hand instruments

Sickle knife, Ø 2 mm

Art.-No.	Description
391 410 010	insert only



Bajonet knife, Ø 3 mm

Art.-No.	Description
391 410 011	insert only



Knife serrated straight, Ø 3.5 mm

Art.-No.	Description
391 410 012	insert only
391 400 012	instrument one piece



Knife serrated 30° left, Ø 3 mm

Art.-No.	Description
391 410 013	insert only



Knife serrated 30° right, Ø 3 mm

Art.-No.	Description
391 410 014	insert only



Menisctome straight, Ø 3 mm

Art.-No.	Description
391 410 015	insert only
391 400 015	instrument one piece



Menisctome straight, Ø 5 mm

Art.-No.	Description
391 410 016	insert only
391 400 016	instrument one piece



Menisctome round, Ø 7 mm

Art.-No.	Description
391 410 017	insert only



Ring curette, Ø 3 mm

Art.-No.	Description
391 410 018	insert only
391 400 018	instrument one piece



Ring curette, Ø 7 mm

Art.-No.	Description
391 410 019	insert only



Spoon, Ø 3 mm

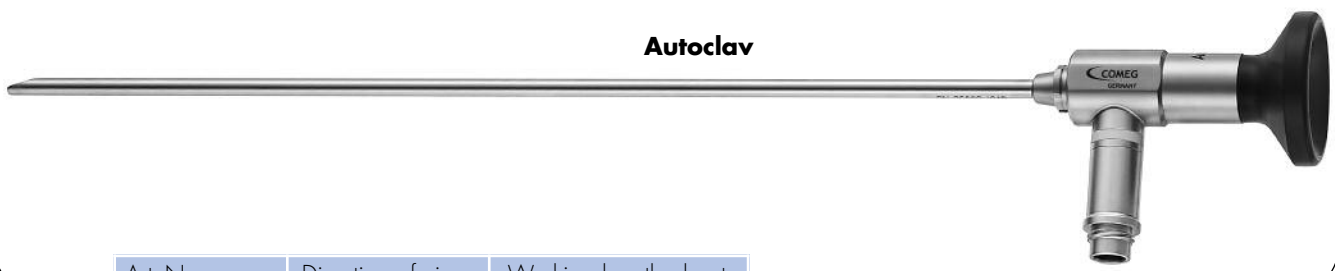
Art.-No.	Description
391 410 020	insert only
391 400 020	instrument one piece



Arthroscope

Arthroscope Ø 4.0 mm

Autoclav



Art.-No.	Direction of view	Working length about
161 412 255	70°	225 mm

Hip arthroscope, 2 stopcocks rotatable



Art.-No.	For scope	Outer Ø	Inner Ø	Working length about
191 402 294	Ø 4.0 / 70°	5.6 mm	4.6 mm	169 mm

Dilation tube

for Kirschner wires with Ø 2.5 mm

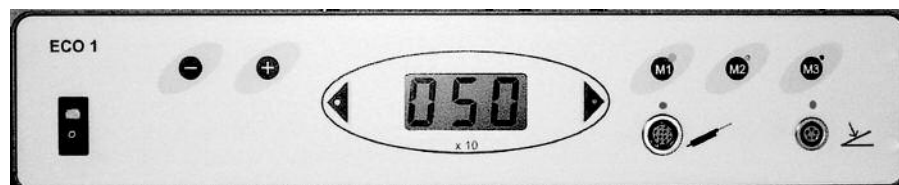


Art.-No.	Outer Ø	Inner Ø	Length
191 402 257	4.5 mm	2.6 mm	267 mm

Shaver

Shaver control unit ECO 1

6 preset and 3 program memory buttons
 speed range 300-6000 rpm
 oscillation 300-1500 rpm
 slow motion mode
 easy to use
 solid construction



Art.-No.
 391 500 001

Handpiece

motor handpiece with quick release mechanism
 easy usable suction control
 replaceable cable
 autoclavable
 compatible with IMTEC and Friatec control units



Art.-No.
 391 500 004

Connecting cable

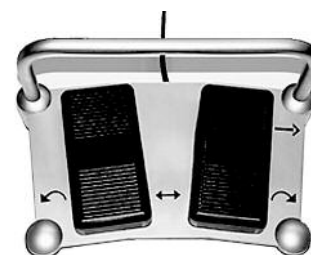
connecting cable between handpiece and shaver control unit

without illustration

Art.-No.
 391 500 002

Foot pedal

solid state model
 waterproof, IP 67, AP
 functions: right/ left/ osc., slow motion mode

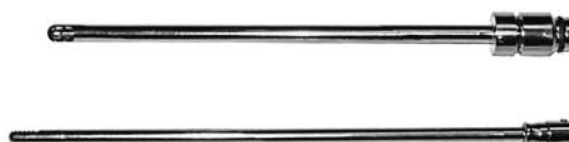


Art.-No.
 391 500 003

Blades

Blades (packing unit = 5 pieces)

autoclavable
 easy to clean completely
 limited reusable
 no plastic adapters
 available for various shaver systems
 for other systems also available on request: Dyonics EP1/
 Aesculap/ Linvatec, Friatec, FMS/ Storz S1/ Stryker



Blades

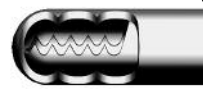
Agressive meniscus cutter

Ø 4.2 mm

upon request in Ø 3.5 / 5.5 mm

Art.-No.

391 500 401



Full radius resector

Ø 4.2 mm

upon request in Ø 3.5 / 5.5 mm

Art.-No.

391 500 400



Agressive full radius resector

Ø 4.2 mm

upon request in Ø 3.5 / 5.5 mm

Art.-No.

391 500 403



Round burr

Ø 5.5 mm

Art.-No.

391 500 420



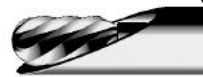
Oval burr

Ø 5.5 mm

upon request in Ø 6.5 mm

Art.-No.

391 500 550



Further blades on request !

Sterilization container for shaver blades



Art.-No.

391 500 005

Set

Arthroscopy shaver set

including:

shaver control unit ECO 1 (391 500 001)

handpiece (391 500 004)

connecting cable (391 500 002)

foot pedal (391 500 003)

agressive meniscus cutter (PU5) (391 500 401)

full radius resector (PU5) (391 500 400)

agressive full radius resector (PU5) (391 500 403)

round burr (PU5) (391 500 420)

oval burr (PU5) (391 500 550)

sterilization container for shaver blades (391 500 005)

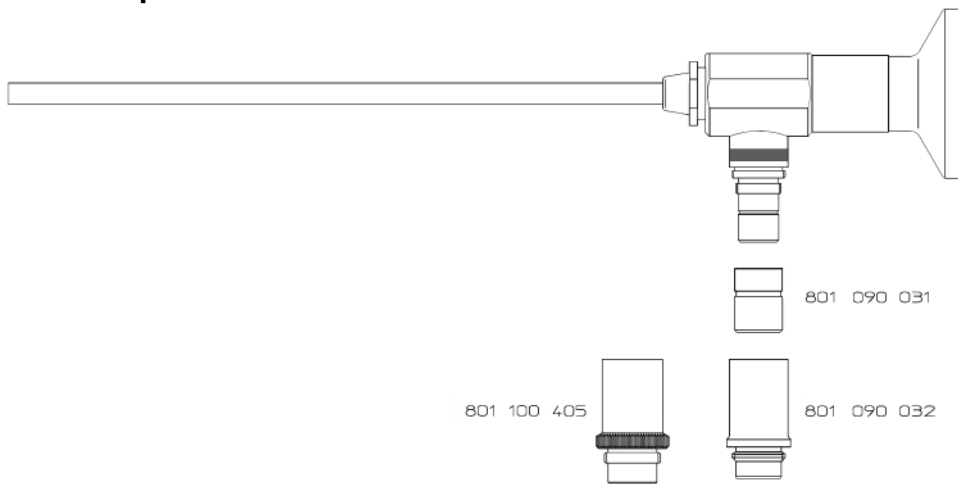
Art.-No.

391 500 000

Telescopes

Following spare parts can be ordered separately:

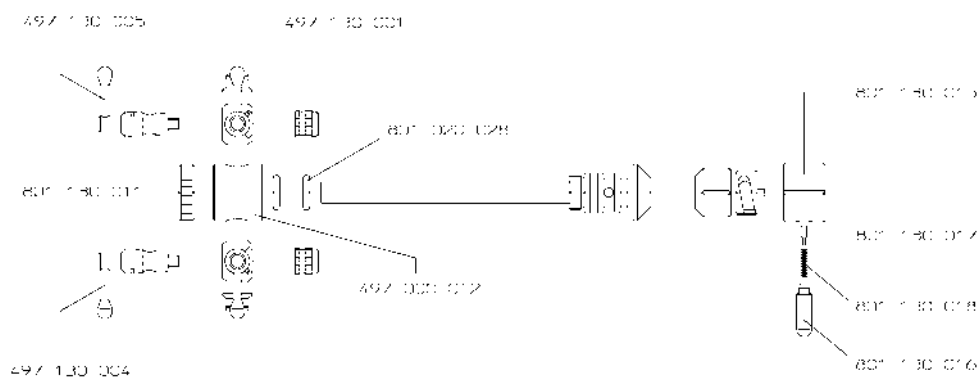
Spare parts for telescopes



Art.-No.	Description
801 090 031	adapter WOLF
801 090 032	adapter STORZ
801 100 405	adapter OLYMPUS

Sheaths

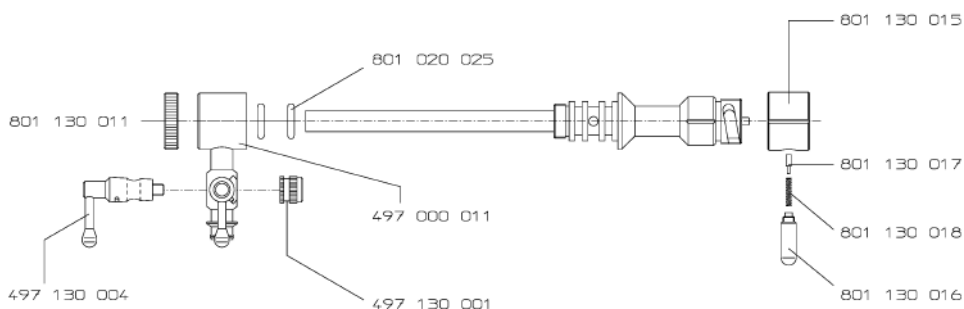
Spare parts for rotatable sheaths with two stopcocks



Art.-No.	Description
497 130 004	stopcock lever right
497 130 005	stopcock lever left
497 130 001	screw cap
497 000 012	sealing ring complete
801 130 011	knurled nut
801 020 028	o ring
801 130 015	locking ring
801 130 017	plunger
801 130 018	spring
801 130 016	locking pin

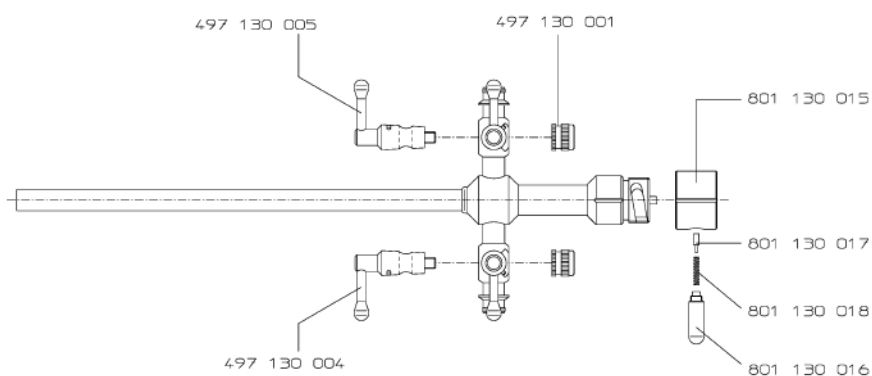
Sheaths

Spare parts for rotatable sheaths with one stopcock



Art.-No.	Description
497 130 004	stopcock lever right
497 130 001	screw cap
497 000 011	sealing ring complete
801 130 011	knurled nut
801 020 025	o ring
801 130 015	locking ring
801 130 017	plunger
801 130 018	spring
801 130 016	locking pin

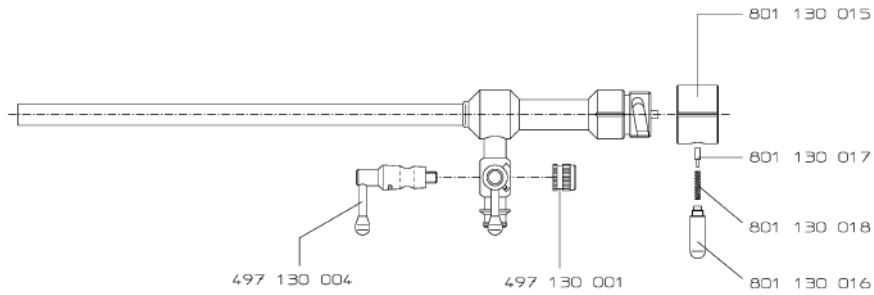
Spare parts for fix sheaths with two stopcocks



Art.-No.	Description
497 130 004	stopcock lever right
497 130 005	stopcock lever left
497 130 001	screw cap
801 130 015	locking ring
801 130 017	plunger
801 130 018	spring
801 130 016	locking pin

Sheaths

Spare parts for fix sheaths with one stopcock



Art.-No.	Description
497 130 004	stopcock lever right
497 130 001	screw cap
801 130 015	locking ring
801 130 017	plunger
801 130 018	spring
801 130 016	locking pin

Accessories for maintenance, cleaning and sterilization

Maintenance/ cleaning kit

consisting of:

- Cleanser, approx. 5 gr
- Cotton buds, 10 pieces
- Grease, approx. 10 gr
- Instructions for use

- the proximal and distal window can be cleaned with care (cleanser and cotton buds), a better visibility can be achieved
 - the function and life duration of stopcocks can be improved (grease)



Art.-No.
391 033 000

Basket for sterilization

for telescopes for Arthroscopy, ENT and Pediatric Cystoscopy including lid and silicone endoscope holder
 for best possible handling during treatment (cleaning, sterilization, etc.)
 maximum protection against damage
 suitable for steam sterilization, gas sterilization, plasma sterilization

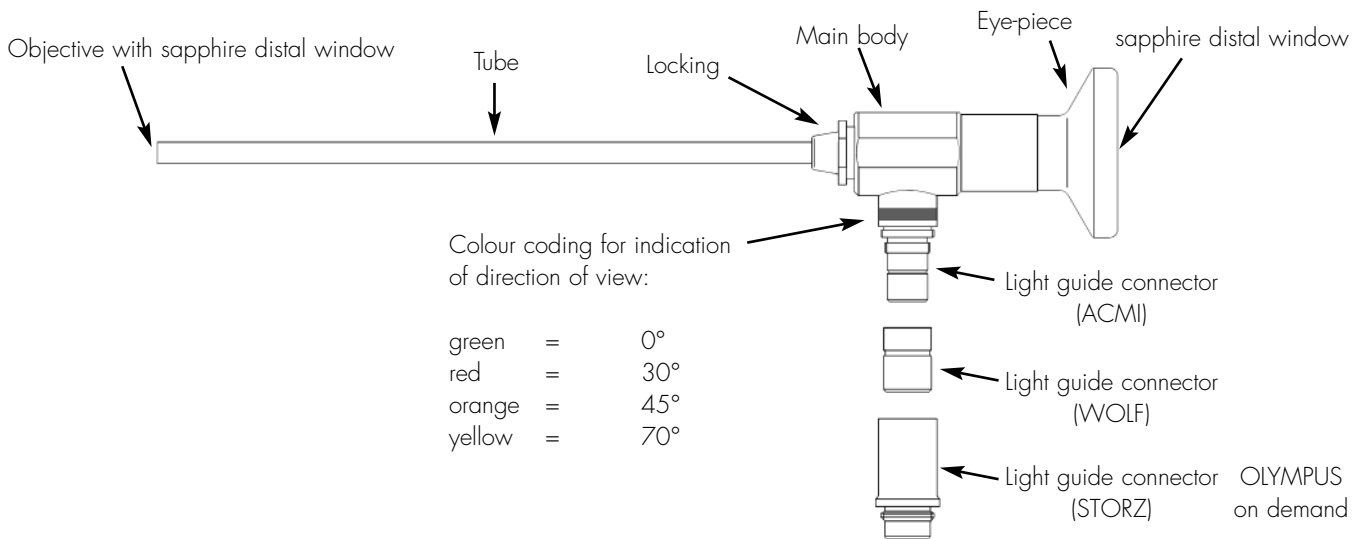


Art.-No.	Dimension
395 400 020	290 x 80 x 52 mm

Innovation

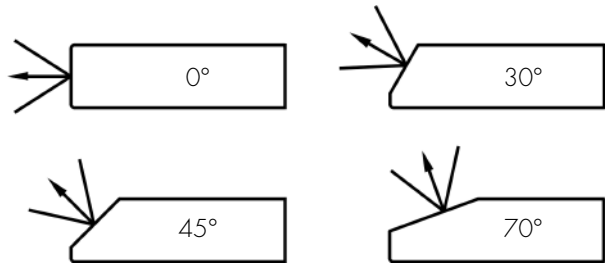
SOPRO-COMEG is permanently improving the quality of its products (stainless steel, design,...). Modifications of technical specifications or design are therefore subject to change without prior notice.

All information and illustrations are without obligation. Subject to change without prior notice!



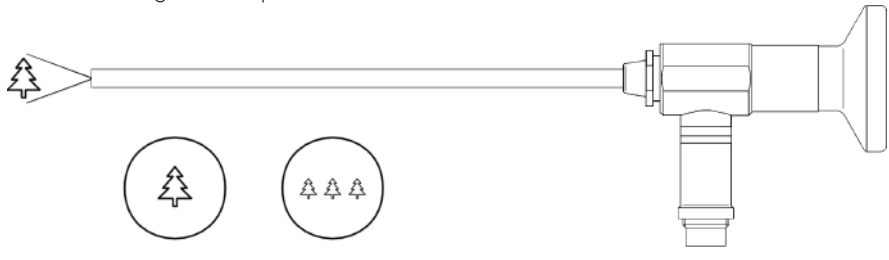
Direction of view

Direction of view is defined by the angle between the deviation of the middle beam and the axis of the optical system.



Field of view

Field of view is defined by the angle between the most left and right peripheral beam of the image. It is important for the distinction of wide-angle and standard-angle telescopes.



“WIDE ANGLE” (WA)

“Wide angle” telescopes provide a bigger field of view.

Autoclavable telescopes

are the standard versions of COMEG telescopes.

They are soakable in disinfectant solution, ETO-sterilizable or autoclavable.

They comply with our high-quality and all functions are tested 100% before being delivered.

Telescopes marked with “*” are not autoclavable.



Table of measures

French (Fr.)		d/mm	French (Fr.)		d/mm
1	≈	0.3	16	≈	5.3
2	≈	0.7	17	≈	5.7
3	=	1.0	18	=	6.0
4	≈	1.3	19	≈	6.3
5	≈	1.7	20	≈	6.7
6	=	2.0	21	=	7.0
7	≈	2.3	22	≈	7.3
8	≈	2.7	23	≈	7.7
9	=	3.0	24	=	8.0
10	≈	3.3	25	≈	8.3
11	≈	3.7	26	≈	8.7
12	=	4.0	27	=	9.0
13	≈	4.3	28	≈	9.3
14	≈	4.7	29	≈	9.7
15	=	5.0	30	=	10.0

Please note:

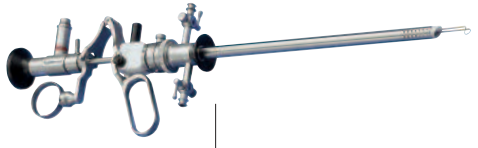
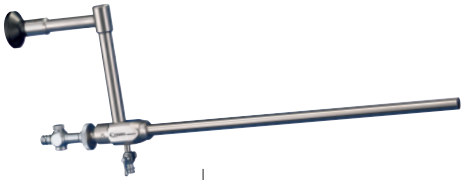
Handling and maintenance instructions for COMEG endoscopes for medical use (Art.-No. G-CM01)

Custom-made devices

Of course we are able to supply you additionally to the standard optics with telescopes for other various applications.

Furthermore we are able to combine our various optical calculations to build up new or modified telescopes upon the users request.

If you have any questions or suggestions please do not hesitate to contact us.



SOPRO-COMEG worldwide



SOPRO-COMEG COMMITMENTS

Customer proximity

Direct and quick communication with our local sales force.

National placed inventory to ensure quick delivery time.

Service

Worldwide service centres to ease and fasten the support of our complete product line.

R&D

A network of 50 engineers to foster on products innovations and new technologies.



CE

French production plant:
ZAC Athélia IV
Avenue des Genévriers
13705 La Ciotat cedex - France
Tél. +33 (0) 442 98 01 01
Fax +33 (0) 442 71 76 90
info@sopro-comeg.com

www.sopro-comeg.com



CE

German production plant:
Dornierstr. 55
D-78532 Tuttlingen - Germany
Tel +49 (0) 7461-9344-0
Fax +49 (0) 7461-9344-20
info@sopro-comeg.com

www.sopro-comeg.com

